

ValkCanopy

Installation manual

Use in combination with the Project Report of the ValkPVplanner



Van der Valk Solar Systems
Solar Mounting Systems

VAN DER VALK



Please note

- This manual is not project specific.
- This manual is not legally binding.
- No right may be derived from this installation manual.
- Use this manual in combination with the ValkPVplanner project report.
- Check 'Datasheet Cable management' for cable suggestions.
- Wall anchors are not included.

Table of contents

Disclaimer	Page -
Necessary tools for ValkCanopy	Page 01
Mounting of the Wall-U	Page 02
Sub assembly panel rods	Page 03
Mounting sub-assembly	Page 04
Mounting push rod	Page 05
Mounting cable clamps	Page 06

Table of contents

ValkCanopy

Van der Valk Solar Systems
Solar Mounting Systems

VAN DER VALK



Disclaimer

This installation manual must be seen in addition to the project report which shows you specific information about your project like a project drawing and ballast plan for flat roofs.

The project report is a result of the calculation tool, the ValkPVplanner. This online calculation tool and/or the project reports derived from this tool were composed with the greatest possible care. Nonetheless, it is possible that some information might not be entirely correct as the results for each project report can be based on default values, which values always need to be checked by you. The instructions provided in this project report must be observed at all times. All applicable standards and appendixes have been integrated in this online calculation tool.

All current structural, safety and building regulations must be observed. Solar mounting systems installed on roofs will be exposed to wind and snow. The building in question will be subject to a load as a result of the PV system. A design calculation must be used to establish whether or not the building will be able to withstand the extra load. Where necessary, modifications need to be made.

Flat roof systems should either be attached to the roof or need to be supported by ballast, to make sure that the system is unable to be lifted or tipped over. The ballast specified in the ValkPVplanner project report will be vital to ensure that the mounting system can be used. Flat roofs with an angle above 5 degrees must be attached to the roof.

The calculations in the online calculation tool do not take into account obstacles in the near surrounding like high buildings, cliffs and mountains. Restrictions also apply for the position of the system on a roof. The solar panels must be installed at a certain distance from edge of the roof as shown in this project report and the installation manual.

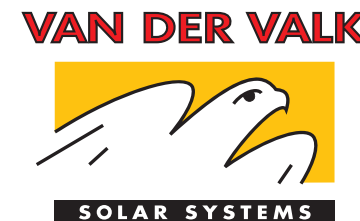
The standard warranty for pitched roof, flat roof and ground mount systems is 10 years, which can be extended under certain conditions. The guarantee provided is subject to the guarantee conditions stated in the general terms and conditions stipulated by Van der Valk Solar Systems B.V. Our terms and conditions shall apply to all our products and can be found on our website: www.valksolarsystems.nl.

Van der Valk Solar Systems B.V. does not accept any liability for any direct and/or indirect consequences of any act (or omission) ensuing from the information in or the failure to observe the instruction provided in the project report and the installation manual and for possible incorrect results resulting from the use of this online calculation tool which was made available to you.

The mounting system is a product that has been produced by:
Van der Valk Solar Systems B.V.,
Registered with the chamber of commerce for
Haaglanden under number 27355116.
Internet: www.valksolarsystems.nl

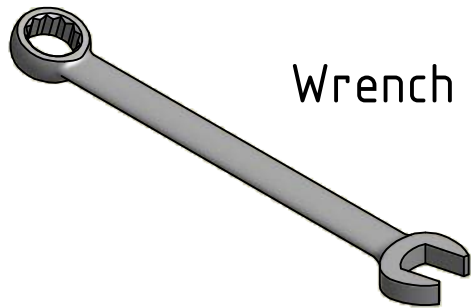
Issue date: june 2017:
Version: General user instructions v2 EN

Van der Valk Solar Systems
Solar Mounting Systems





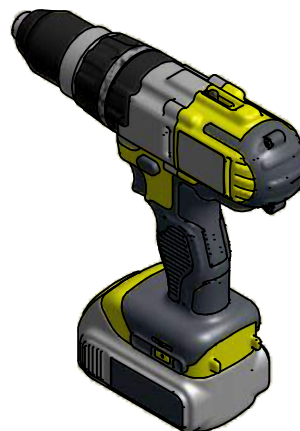
Necessary Tools For ValkCanopy



Wrench 10



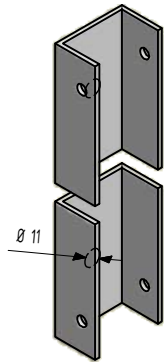
Socket 10



Cordless drill
(for socket 10)

Mounting of the Wall-U

VAN DER VALK



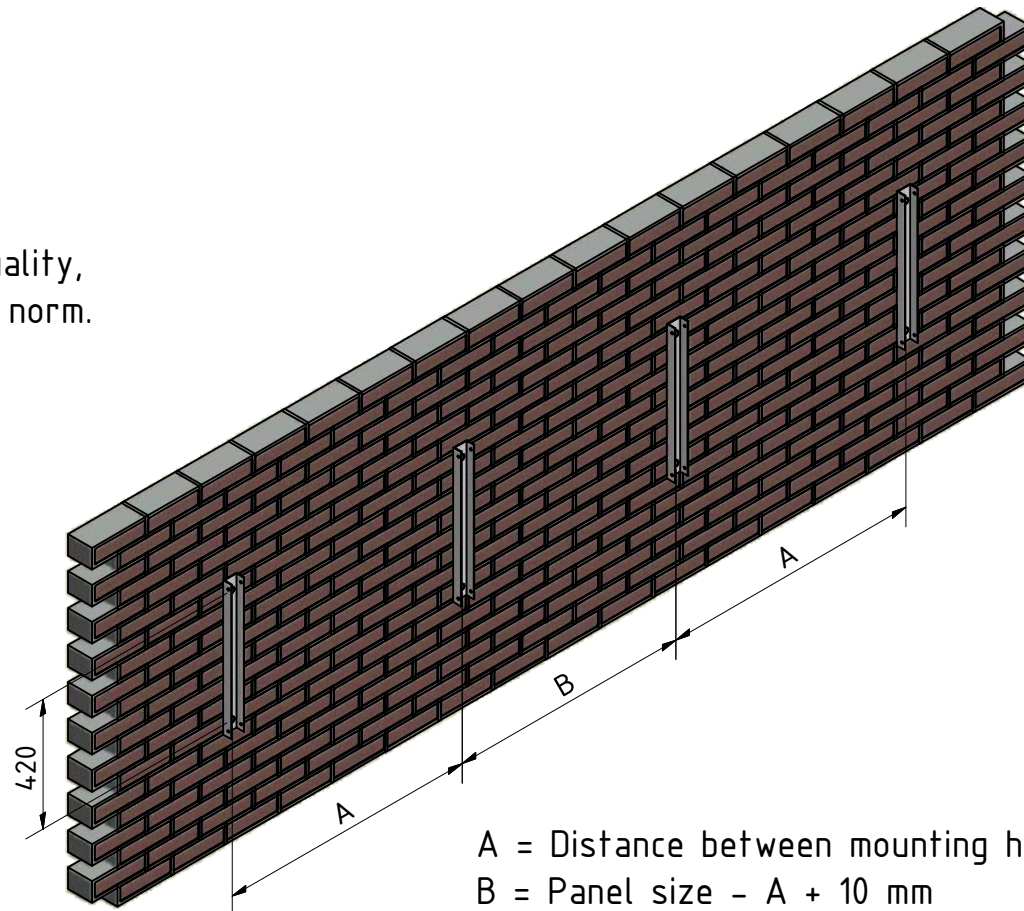
75.85.02

Attention:

Wall anchors are not included.

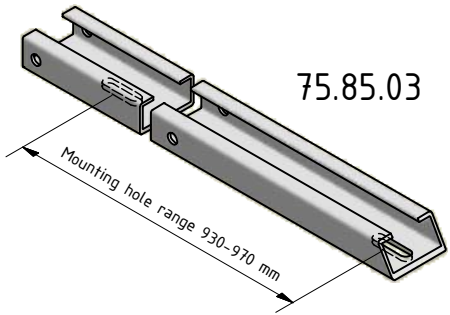
The maximal pull force on an anchor is 3652 N with maximum building height of 15 m.

The glass of the solar panels must have a 1B1 quality, or they have been tested following the 12600 1B1 norm.



A = Distance between mounting holes solar panel

B = Panel size - A + 10 mm



75.85.03

Mounting hole range 930-970 mm



M6x25

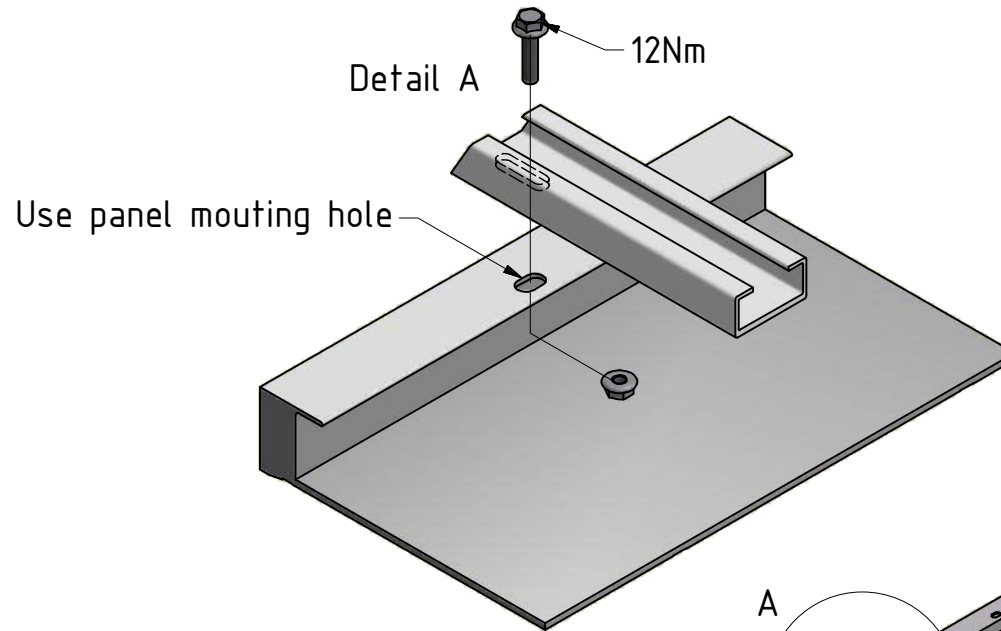
77.34.25



M6

77.30.06

Sub assembly panel rods

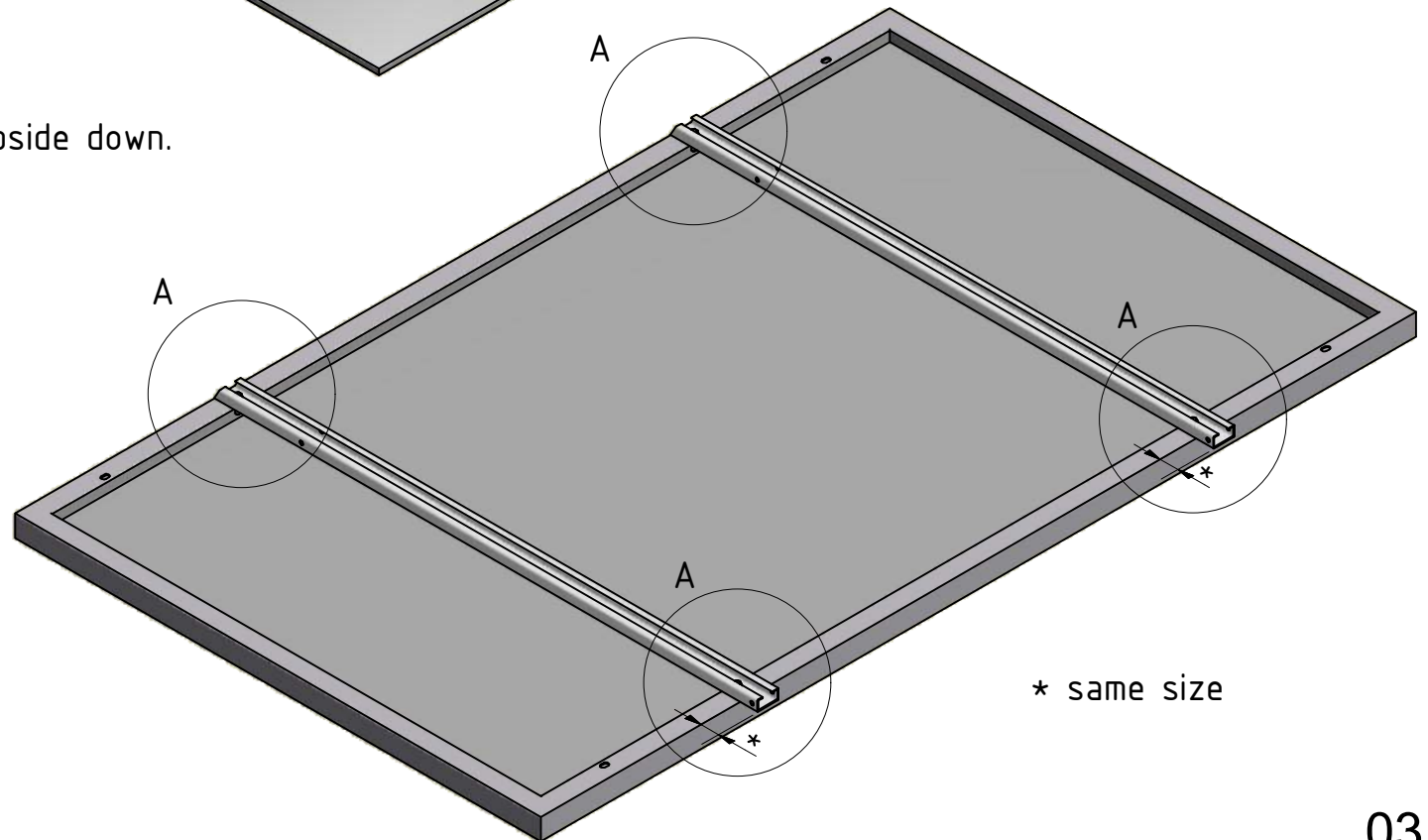


Detail A

12Nm

Use panel mounting hole

Attention:
Protect panel before putting the panel upside down.

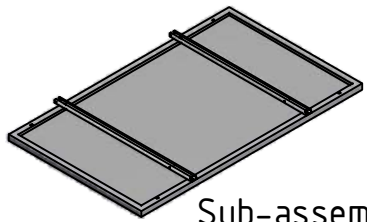
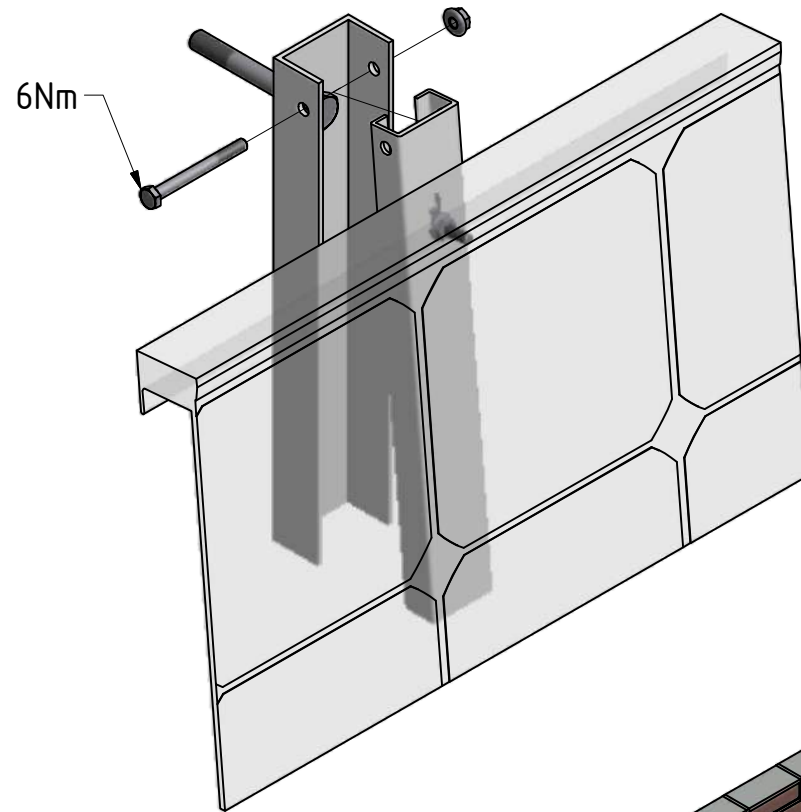


* same size



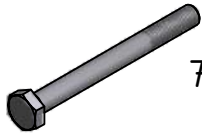
Mounting sub-assembly

Detail A



Sub-assembly

M6x60

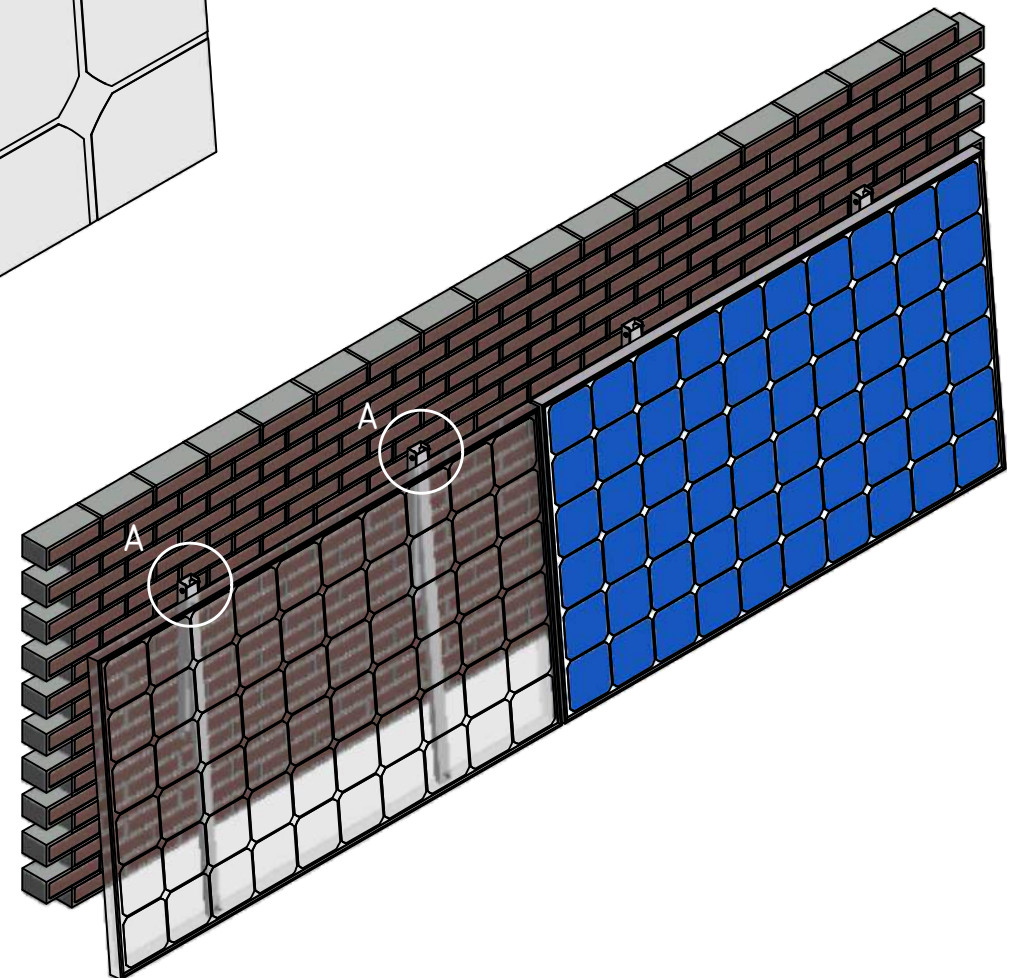


77.30.60

M6

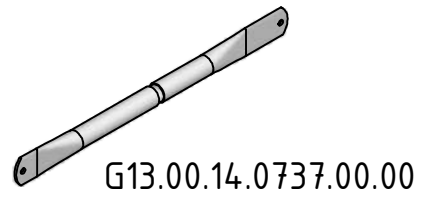


77.30.06

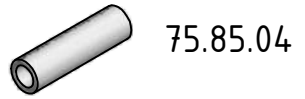




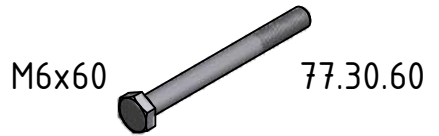
Mounting push rod



G13.00.14.0737.00.00



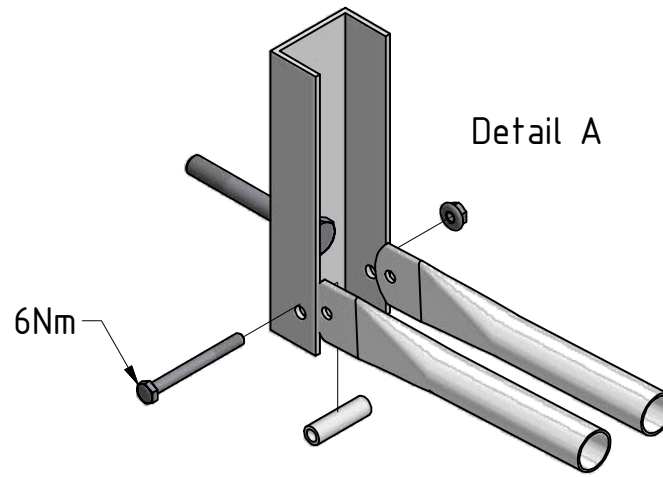
75.85.04



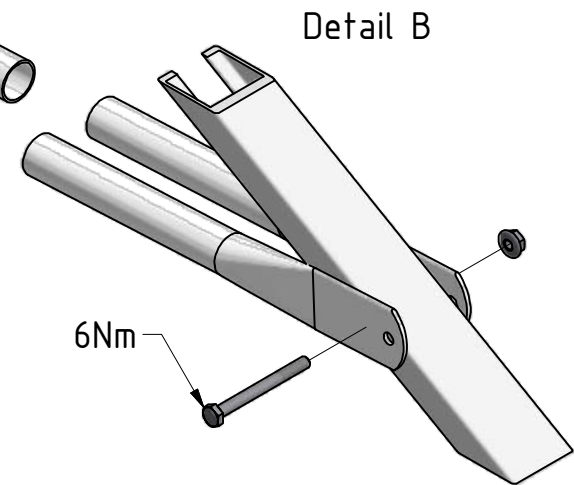
M6x60 77.30.60



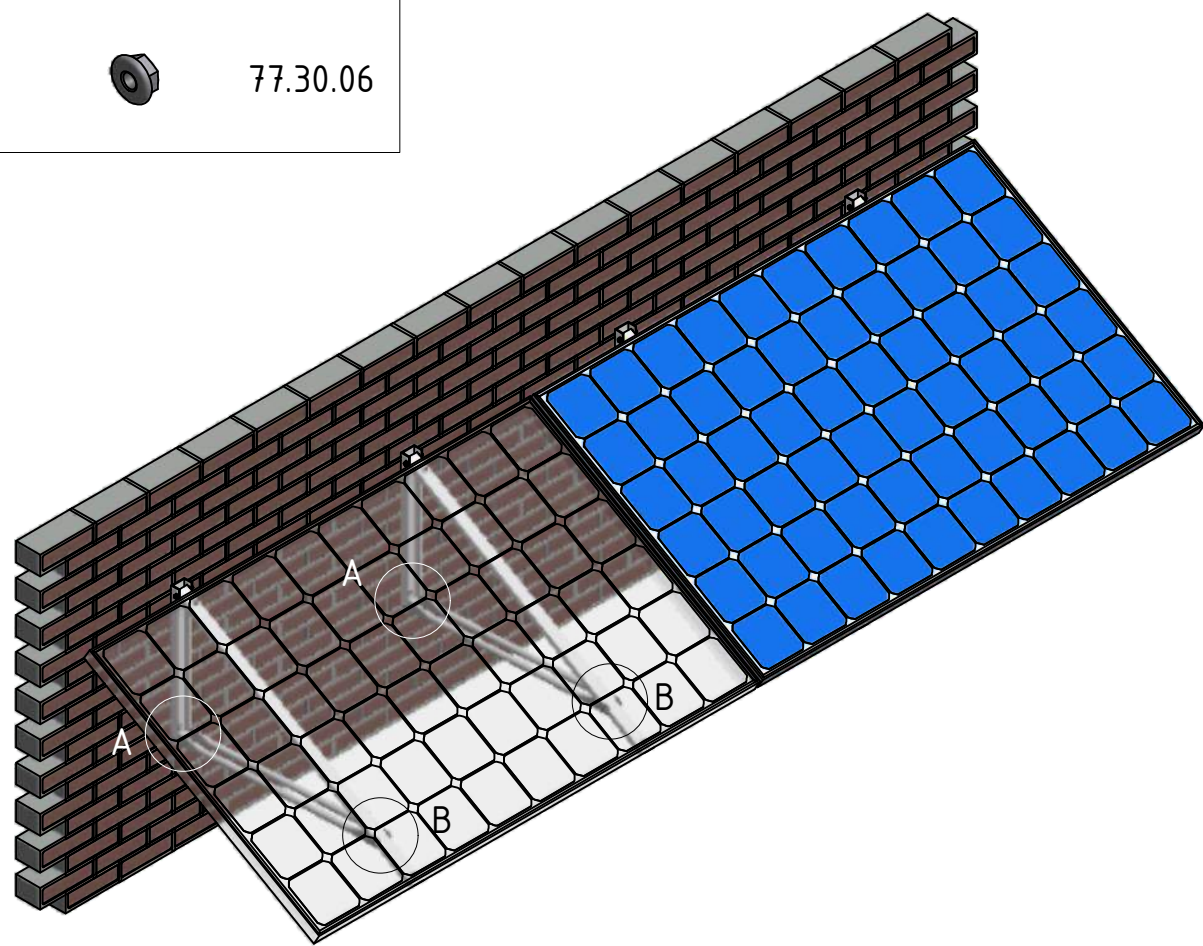
M6 77.30.06



Detail A



Detail B

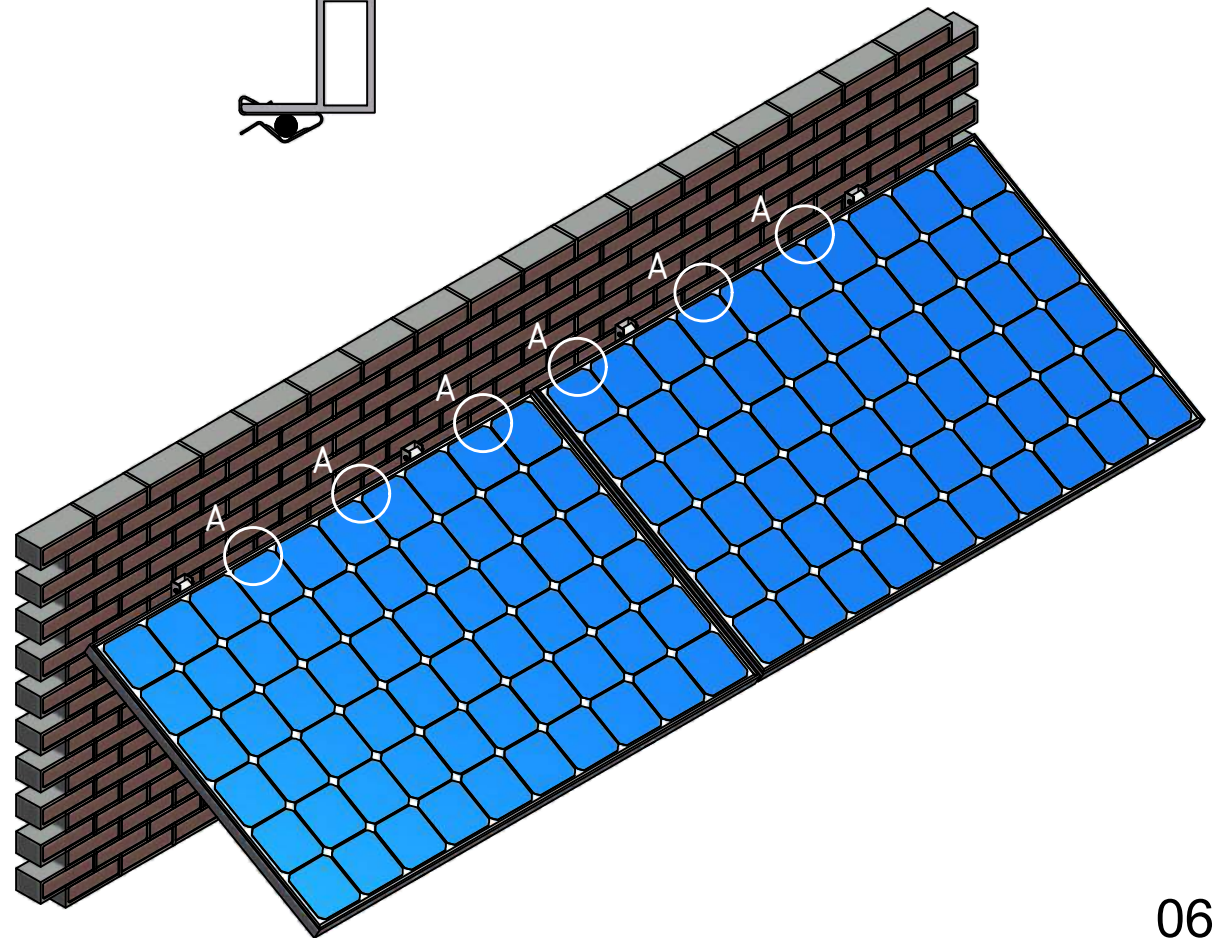
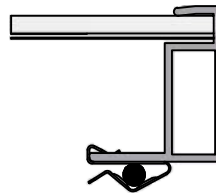
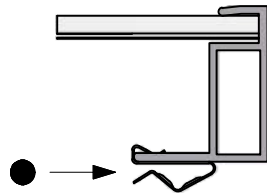
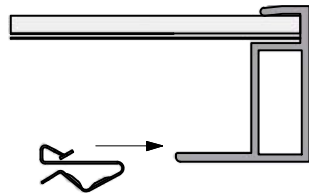


Mounting cable clamps



73.20.01

Detail A: Mounting cable clamp on panel.



Van der Valk Solar Systems

Van der Valk Solar Systems is one of the fastest growing companies in the solar industry. It concentrates solely on developing and manufacturing solar panel mounting systems for pitched roofs, flat roofs and open fields. Van der Valk Solar Systems also has an office and warehouse located in the UK.

Our mounting systems are developed and manufactured in our own factory in the Netherlands and are distinguished by their versatile application, very fast mounting and top quality. They comply with the latest Eurocodes and thus meet the requirements set by banks and insurance companies for solar systems.

Van der Valk Solar Systems works closely together with Van der Valk Systemen, which since 1963 has upheld an international reputation in the field of mobile systems and fixation components.

Our joint industrial complex includes 20,000 m² of offices and industrial buildings. By using modern machinery and the latest technology, products and systems can be developed, manufactured and tested quickly and precisely.

Developer and producer of solar mounting systems for:



Pitched Roofs



Flat Roofs



Open fields



Greenhouses



Water Features

Please contact Van der Valk Solar Systems, your installation company or project organisation for full information.

Why choose Van der Valk Solar Systems?

- Innovative systems developed in compliance with applicable worldwide standards
- Fast and reliable deliveries thanks to modern machinery and large stocks
- System supplier since 1963
- Free software for project design and project calculation
- All systems applicable to any type of roof or surface
- Quick assembly thanks to premounting of essential components
- All systems available in portrait as well as landscape configuration
- Various systems also available as ready-to-use kits



Zwartendijk 73, 2681 LP Monster
Nederland
T +31 (0)174 21 22 23
F +31 (0)174 24 27 27
info@valksolarsystems.nl
www.valksolarsystems.nl

Innovation House, Discovery Park
Ramsgate Road, Sandwich CT13 9FF
United Kingdom
T +44 (0)1304 897658
info@valksolarsystems.co.uk
www.valksolarsystems.co.uk

Van der Valk Solar Systems

Solar Mounting Systems

VAN DER VALK



SOLAR SYSTEMS