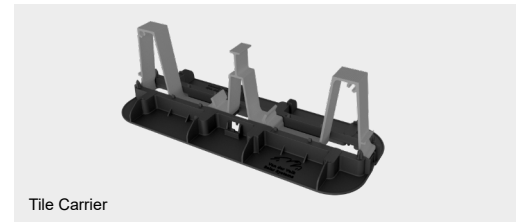


Tile Carrier



Tile Carrier

Datasheet Tile Carrier

General

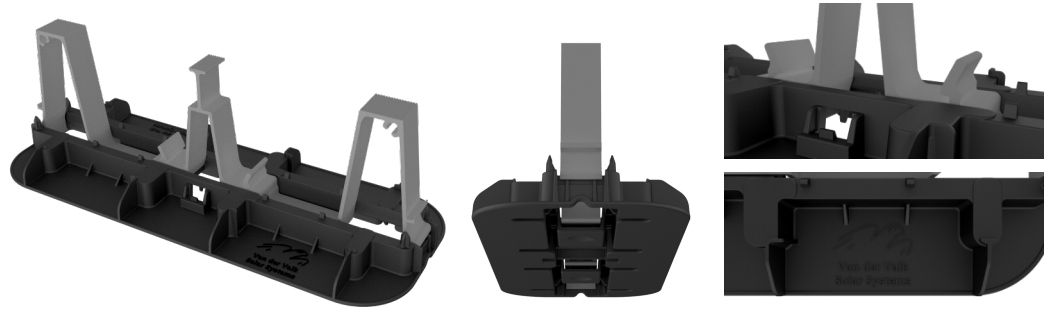
The tile carrier ensures the integrity of the roof by evenly distributing the mechanical load across the roof surface

Technical specification

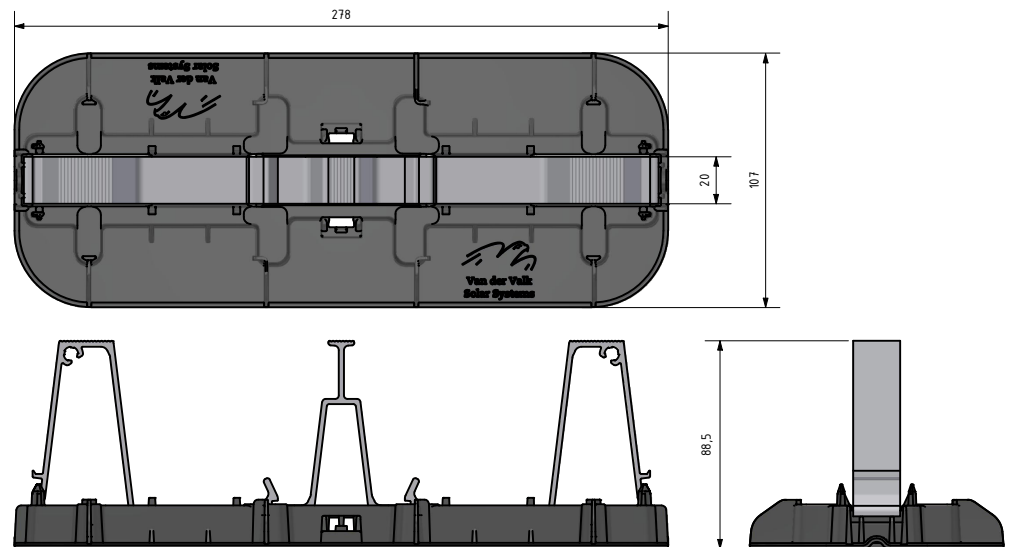
- Maximum ballast capacity of four ballast tiles
- Material consisting of POM and Aluminum
- Optimal nestability and reduced transport costs
- Suitable for all roof types—including PVC
- Simple click system

Product information

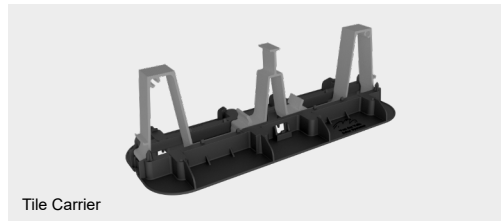
Tile Carrier Image



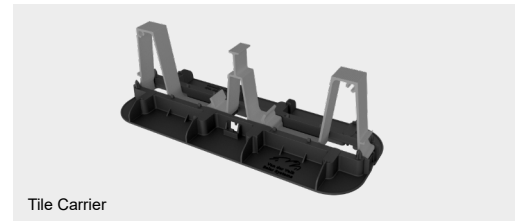
Dimensions



Tile Carrier	
Product number	729636
Weight (kg)	0,18
Package quantity	50
GTIN	08719632528906



Tile Carrier



Tile Carrier

Datasheet Tile Carrier

Application

The tile carrier is compatible with the following systems:

- ValkPro+ Max Next Gen
- ValkPro+

Norms

The tile carrier is certified in accordance with the following standards and guidelines:

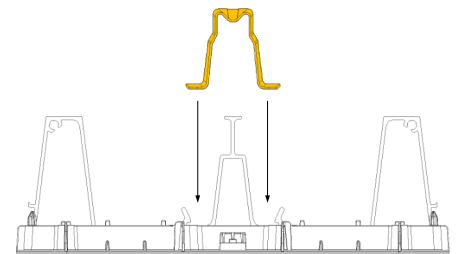
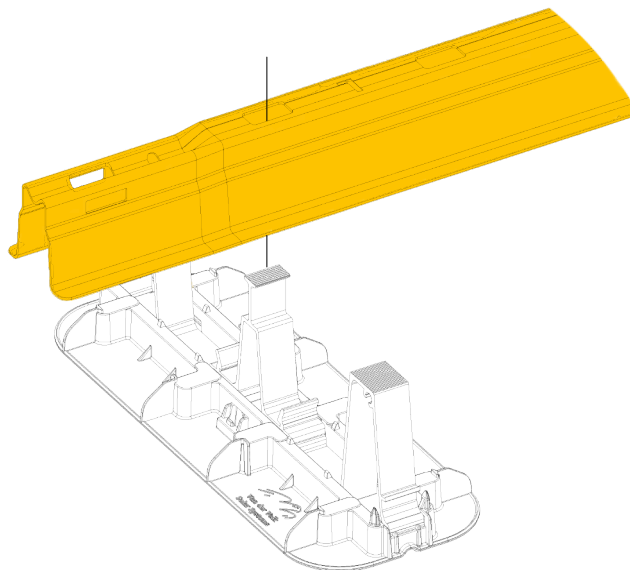
- EN 1990—Friction test
- EN 1990—Compression test
- EN 1991-1-3
- EN 1991-1-4

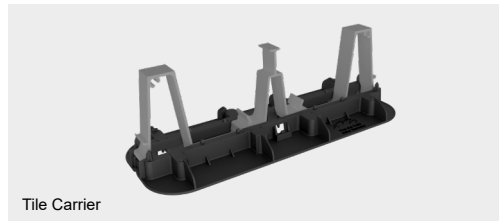
Roof type

The paving support is suitable for the following roof constructions:

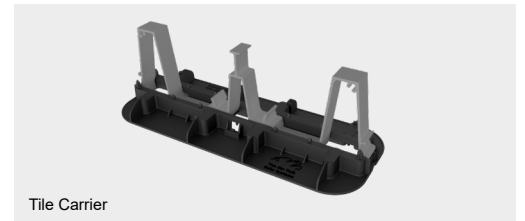
- PVC
- Bitumen
- Concrete roof
- Concrete tiles
- EPDM
- Roof cladding
- TPO-FPO

Installation method

1



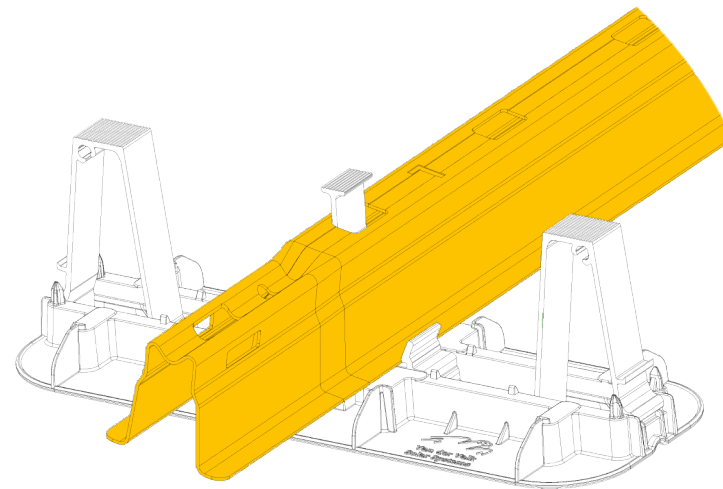
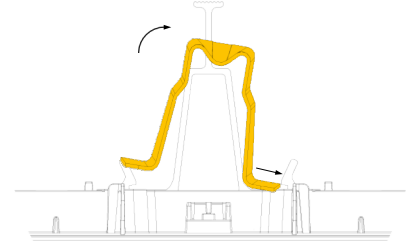
Tile Carrier



Tile Carrier

Datasheet Tile Carrier

2



3

